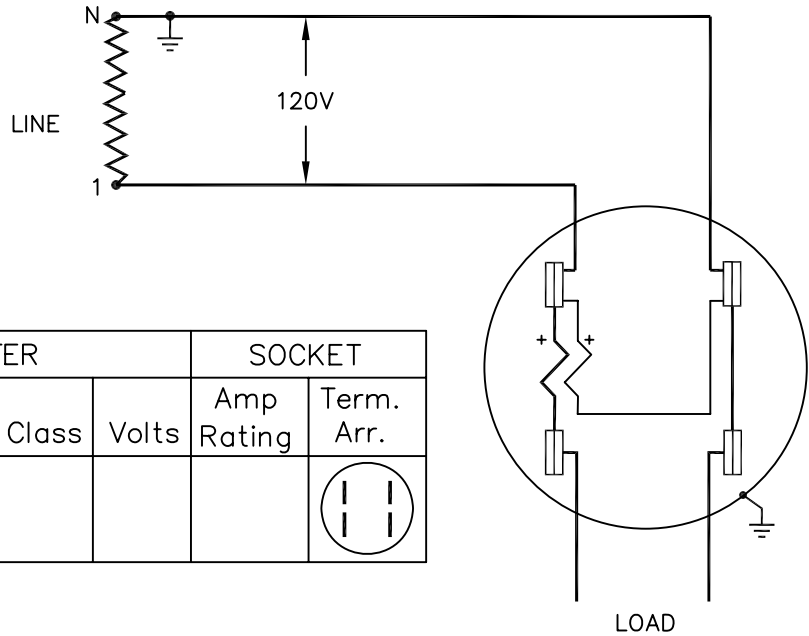


SINGLE PHASE — SELF-CONTAINED

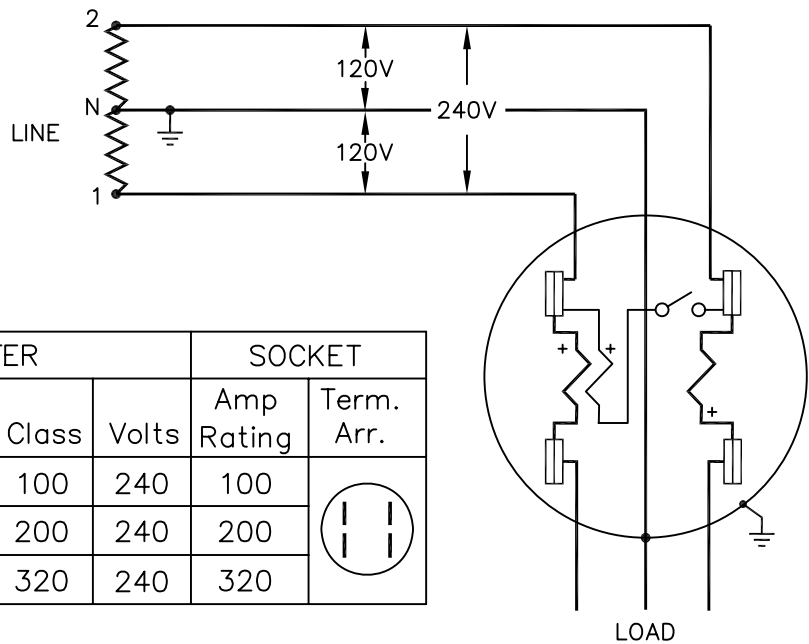
TWO WIRE



SERVICE		2 WIRE		METER				SOCKET	
Approx. Load	Amps Per Line	Type	Form	Class	Volts	Amp Rating	Term. Arr.		
		N/A	1S						

DIAGRAM 1

THREE WIRE



SERVICE		3 WIRE		METER				SOCKET	
Approx. Load	Amps Per Line	Type	Form	Class	Volts	Amp Rating	Term. Arr.		
0-24 Kva	100	D5S	2S	100	240	100			
0-48 Kva	200	D5S	2S	200	240	200			
0-72 Kva	320	D5S	2S	320	240	320			

DIAGRAM 2

**BIG BEND ELECTRIC COOP, INC.
RITZVILLE, WA**

Drawn By: *D. HITTLE & ASSOC.*

Date: 8/13/93 Rev: 4/14/04

DIAGRAMS 1 & 2

Approved By: *D.R.B.*

Date: 4/14/04