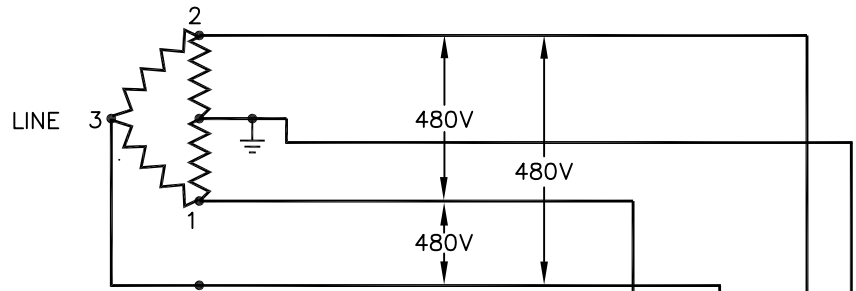


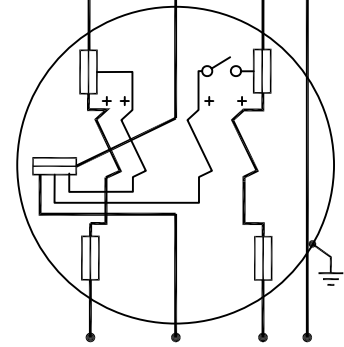
POLYPHASE — SELF—CONTAINED

THREE PHASE, THREE WIRE
(no line-to-neutral loads)



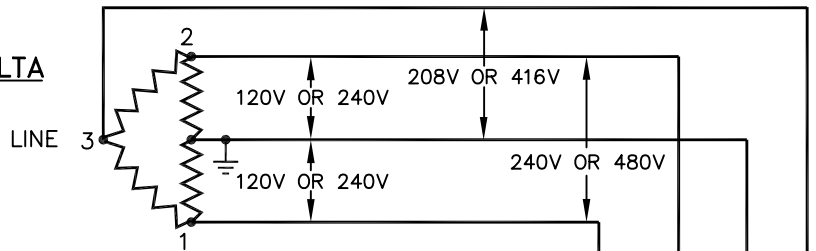
SERVICE — 3 ϕ , 3 WIRE	METER				SOCKET	
	Amps Per Line	Type	Form	Class	Volts	Amp Rating
100	D5S-5	12S	100	480	100	
200	D5S-5	12S	200	480	200	

DISCONTINUED
1/9/08

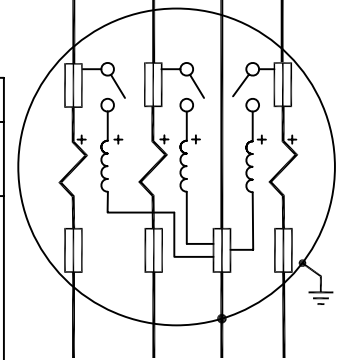


LOAD
DIAGRAM 3

THREE PHASE, FOUR WIRE DELTA



SERVICE — 3 ϕ , 4 WIRE DELTA	METER				SOCKET	
	Amps Per Line	Type	Form	Class	Volts	Amp Rating
100	D5S-7	15S	100	240	100	
200	D5S-7	15S	200	240	200	
100	D5S-7	15S	100	480	100	
200	D5S-7	15S	200	480	200	



LOAD
DIAGRAM 4

BIG BEND ELECTRIC COOP, INC.
RITZVILLE, WA

Drawn By: *D. HITTLE & ASSOC.* Date: 6/14/94 Rev: 6/14/10

Approved By: *C.A.C.* Date: 6/15/2010

DIAGRAMS 3 & 4