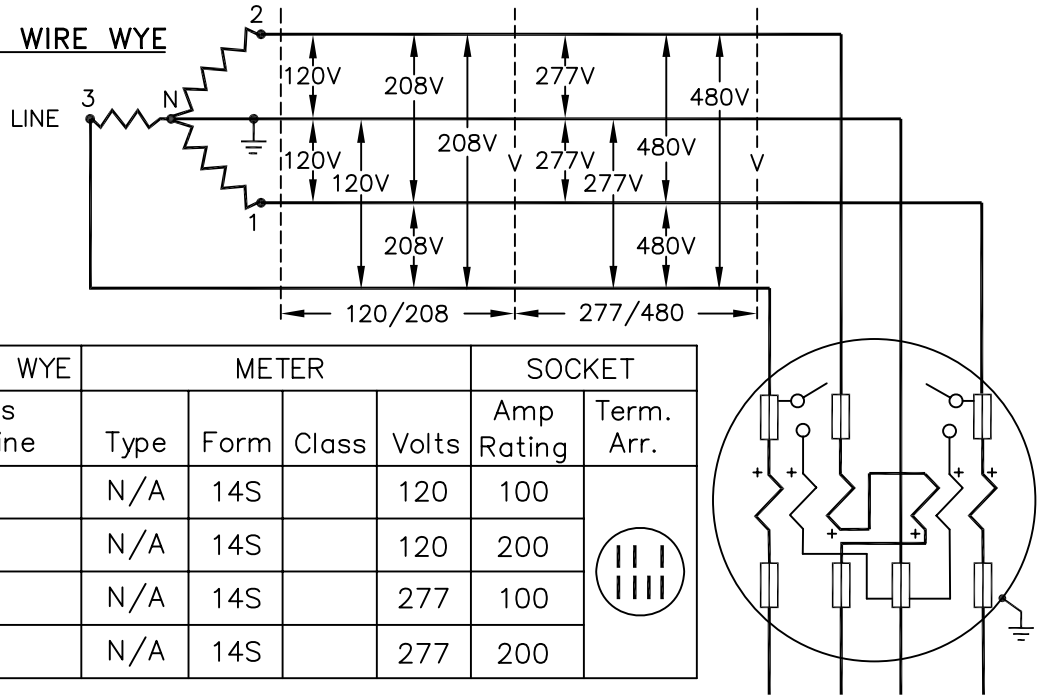


# POLYPHASE — SELF—CONTAINED

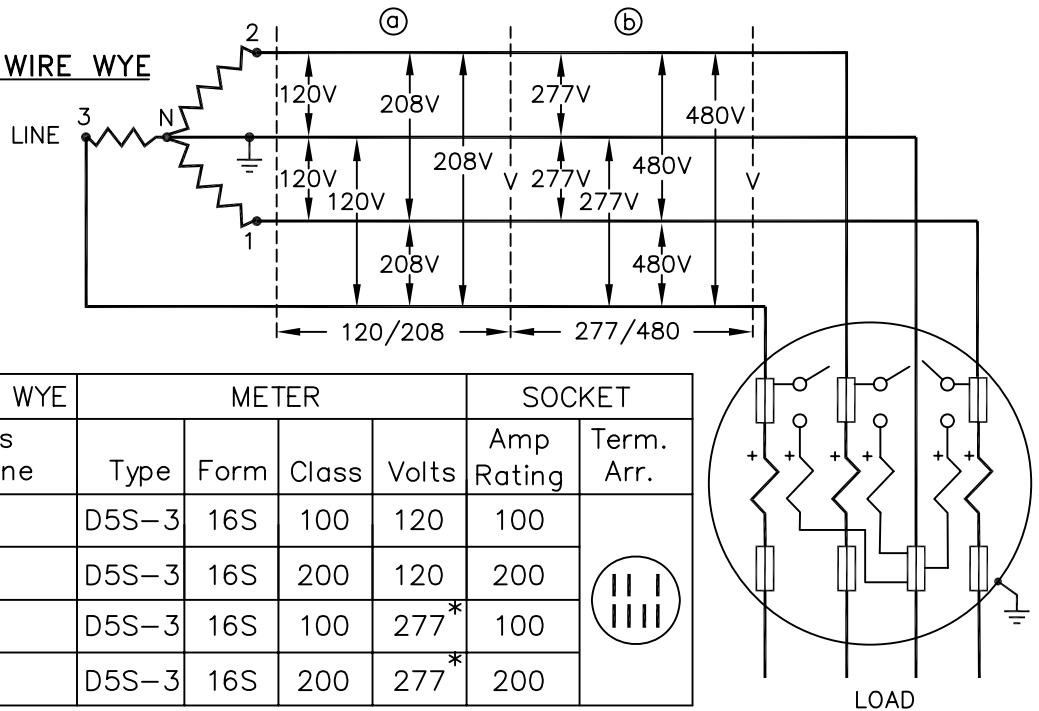
**THREE PHASE, FOUR WIRE WYE**  
(2 1/2 STATOR)



SERVICE — 3 $\phi$ , 4 WIRE WYE		METER				SOCKET	
CKT.	Amps Per Line	Type	Form	Class	Volts	Amp Rating	Term. Arr.
		N/A	14S		120	100	
		N/A	14S		120	200	
		N/A	14S		277	100	
		N/A	14S		277	200	

LOAD  
**DIAGRAM 5**

**THREE PHASE, FOUR WIRE WYE**  
(3 STATOR)



SERVICE — 3 $\phi$ , 4 WIRE WYE		METER				SOCKET	
CKT.	Amps Per Line	Type	Form	Class	Volts	Amp Rating	Term. Arr.
Ⓐ	100	D5S-3	16S	100	120	100	
Ⓐ	200	D5S-3	16S	200	120	200	
Ⓑ	100	D5S-3	16S	100	277*	100	
Ⓑ	200	D5S-3	16S	200	277*	200	

\* SPECIAL ORDER ONLY

LOAD  
**DIAGRAM 6**

**BIG BEND ELECTRIC COOP, INC.**  
**RITZVILLE, WA**

Drawn By: *D. HITTLE*  
& *ASSOC.*

Date: 8/13/93 Rev: 4/14/04

**DIAGRAMS 5 & 6**

Approved By: *D.R.B.*

Date: 4/14/04