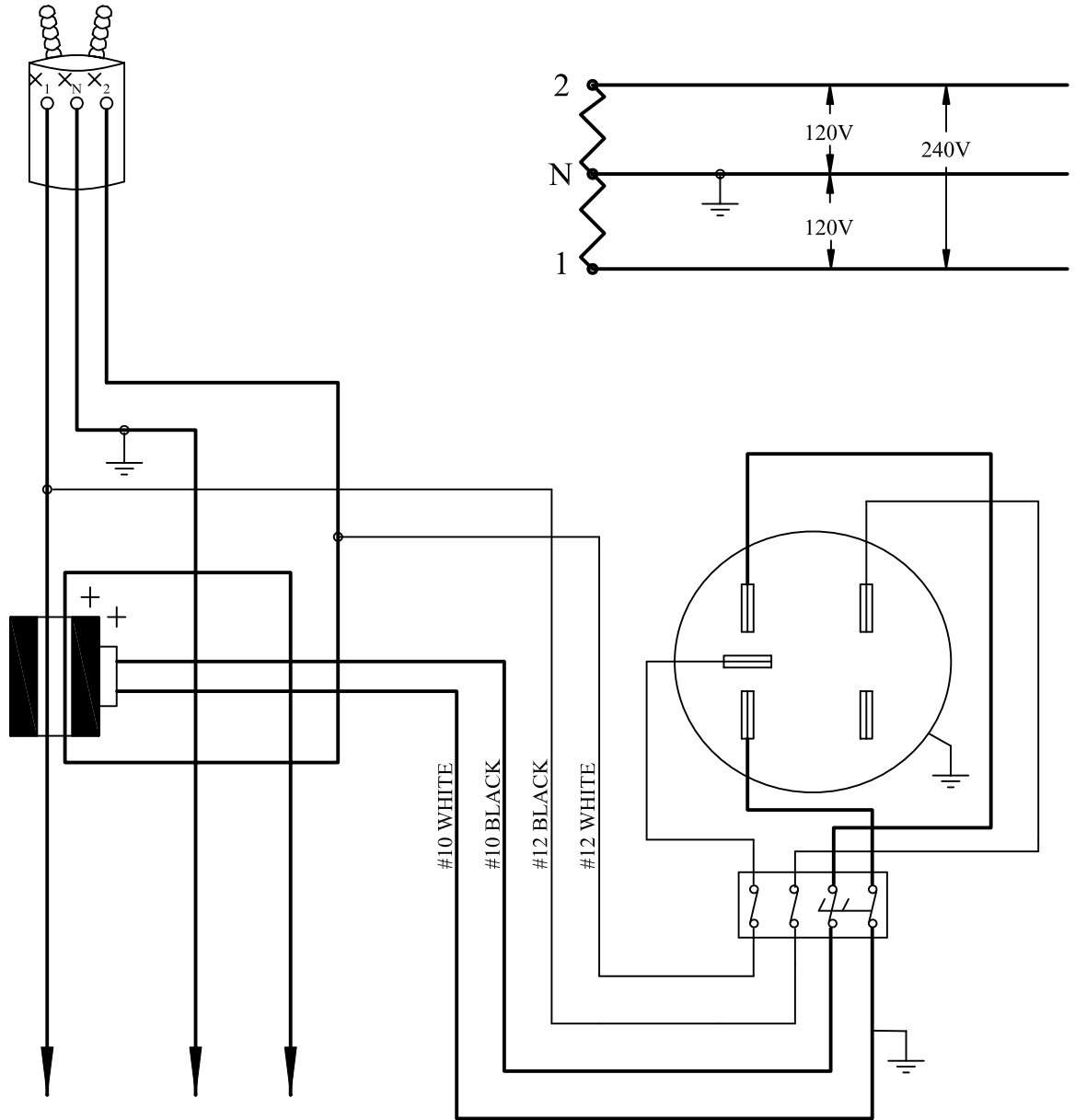


# SINGLE PHASE - TRANSFORMER - RATED

FOR EXISTING APPLICATIONS ONLY

SEE DIAGRAM 8B FOR NEW INSTALLATIONS

THREE WIRE SERVICE  
TWO WIRE METER  
1 - 2 WIRE CT



**NOTES:**

1. FORM 3S METER, TYPE D5S, 10 AMP.
2. C.T. COMMON GROUNDED AT TEST SWITCH ONLY.
3. REGISTER MULTIPLIER EQUALS 1/2 C.T. RATIO.

TEST SWITCH, 4 POLE

MILBANK CATALOG #TS04-0101  
OR APPROVED EQUIVALENT

METER BASE, 5 JAW

MILBANK CATALOG #UC3435-XL  
OR APPROVED EQUIVALENT

**BIG BEND ELECTRIC COOP, INC.  
RITZVILLE, WA**

Drawn By: M. R. B.

Date: 12/18/01 Rev : 4/14/04

Approved By: D. R. B.

Date: 04/14/04

**DIAGRAM 8A**