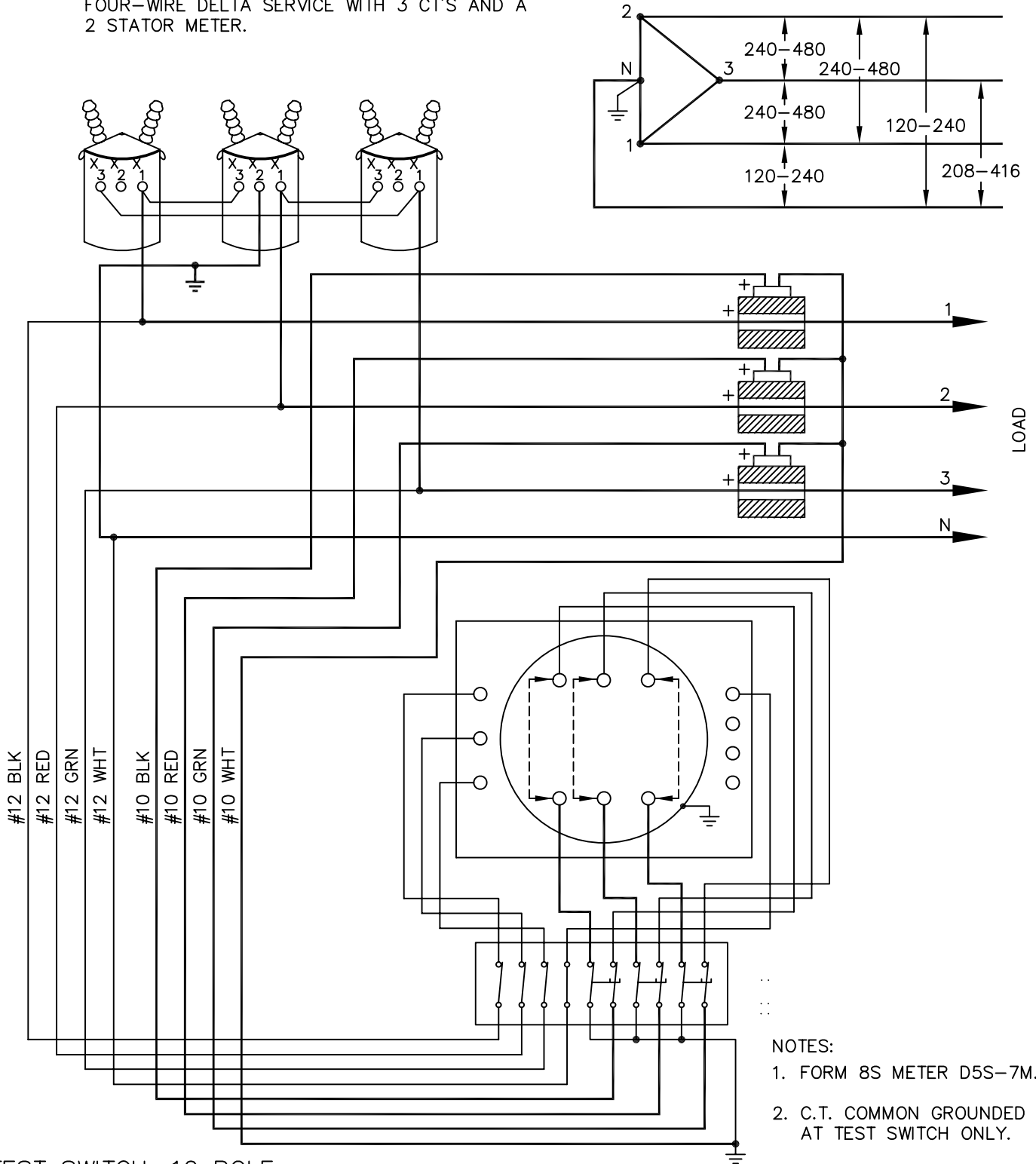


POLYPHASE — TRANSFORMER—RATED

MEASUREMENT OF ENERGY ON A THREE-PHASE,
FOUR-WIRE DELTA SERVICE WITH 3 CT'S AND A
2 STATOR METER.



NOTES:

1. FORM 8S METER D5S-7M.
2. C.T. COMMON GROUNDED AT TEST SWITCH ONLY.
3. REGISTER MULTIPLIER EQUALS C.T. RATIO.

TEST SWITCH, 10 POLE:
SUPERIOR #1058F,
MILBANK #TS10-0109 OR
APPROVED EQUIVALENT.

METER BASE, 13 JAW:
SUPERIOR #11523M,
CAW #121413 OR
APPROVED EQUIVALENT.

**BIG BEND ELECTRIC COOP, INC.
RITZVILLE, WA**

Drawn By: *D. HITTLE*
& *ASSOC.*

Date: *8/13/93* Rev: *4/14/04*

Approved By: *D.R.B.*

Date: *4/14/04*

DIAGRAM 10A