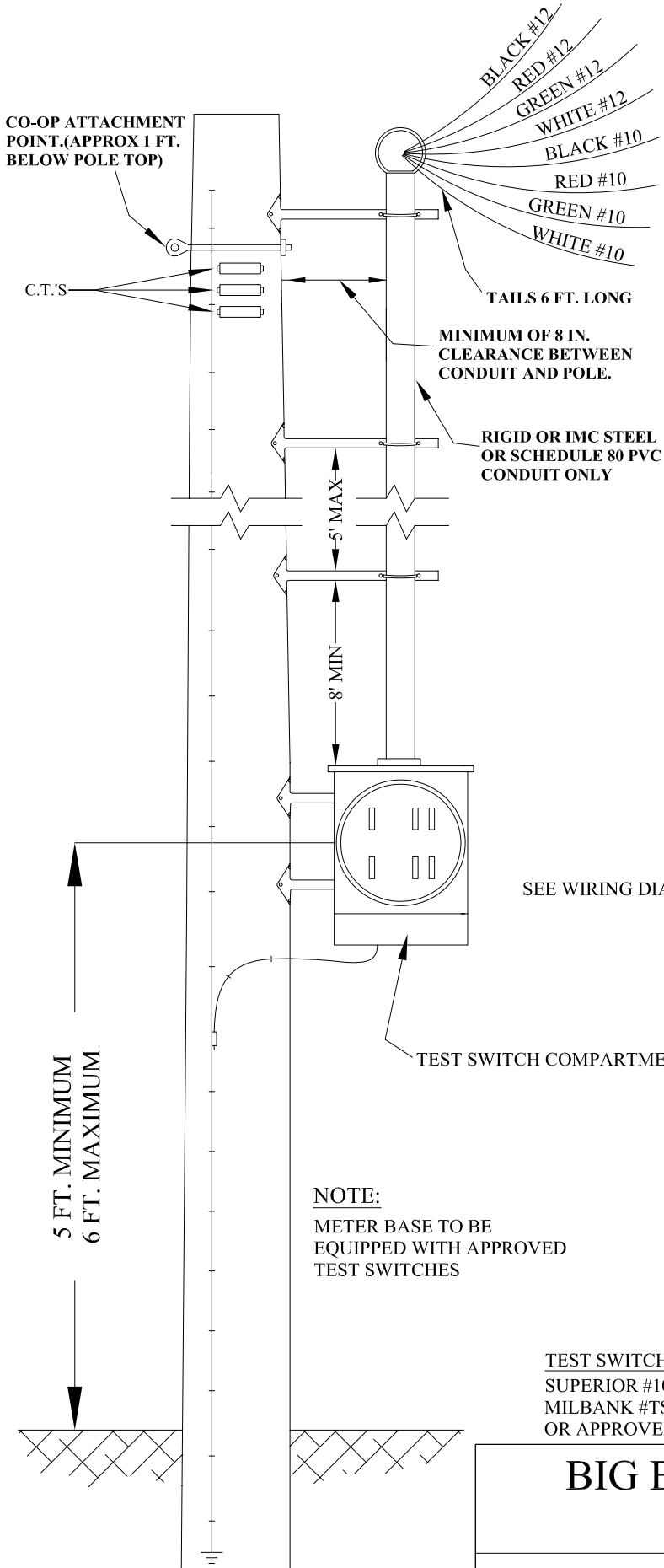


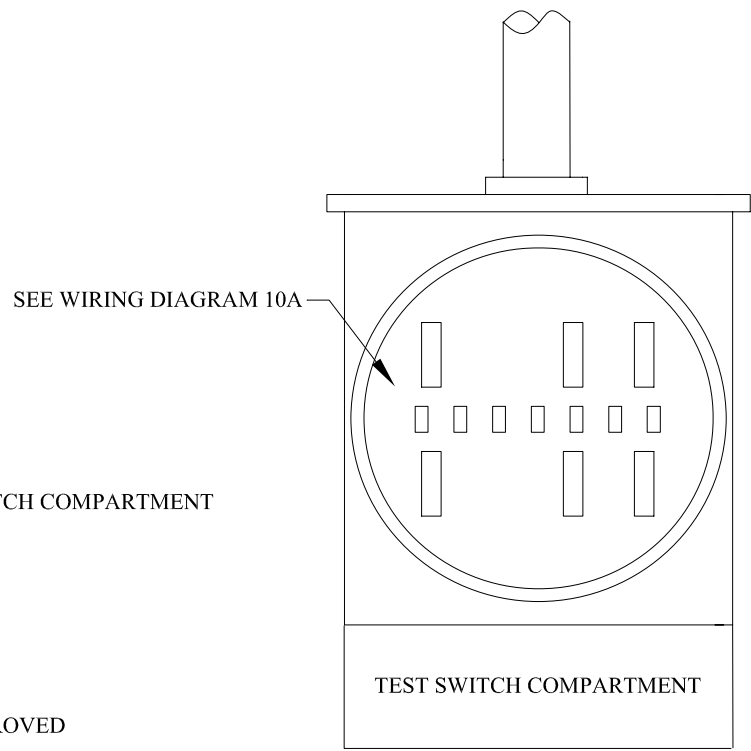
METER POLE SERVICE - 3 PHASE, 4 WIRE DELTA

120/240 OR 240/480 VOLTS - C.T. METERING



- NOTES:**
- POLE, SERVICE TO POLE, METER, GROUND WIRE AND CURRENT TRANSFORMERS FURNISHED BY B.B.E.C.
 - C.T. METERING MAY BE USED FOR LOADS OVER 70 KW.
 - ALL CONDUITS AND METERING TO BE MOUNTED ON STAND-OFF BRACKETS A MINIMUM OF 8 IN. FROM POLE
 - CONDUIT LENGTH AS REQUIRED TO PLACE WEATHER HEAD BETWEEN CO-OP ATTACHMENT POINT AND POLE TOP. TYPICAL LENGTHS:
14 FT. FOR 25 FT. POLE
18.5 FT. FOR 30 FT. POLE
23 FT. FOR 35 FT. POLE
 - CONDUIT SHALL BE RIGID OR IMC STEEL OR SCHEDULE 80 PVC ONLY.
 - DEPENDENT ON YOUR SERVICE INSTALLATION, A MAIN BREAKER MAY BE REQUIRED. CONTACT AN ELECTRICIAN OR STATE L & I PRIOR TO INSTALLING YOUR METERING EQUIPMENT.
 - METER BASE TO BE C.T. RATED AND EQUIPPED WITH TEST SWITCHES

WIRING DIAGRAM



NOTE:
METER BASE TO BE EQUIPPED WITH APPROVED TEST SWITCHES

TEST SWITCH, 10 POLE:
SUPERIOR #1058F,
MILBANK #TS10-0109,
OR APPROVED EQUIVALENT

METER BASE, 13 JAW:
SUPERIOR #11523M,
MILBANK #UC3433-XL,
OR APPROVED EQUIVALENT

BIG BEND ELECTRIC COOP, INC.			
RITZVILLE, WA			
Drawn By:	J.R.L.	Date:	3/23/09
Approved By:	C.A.C.	Date:	4/27/09

DIAGRAM I