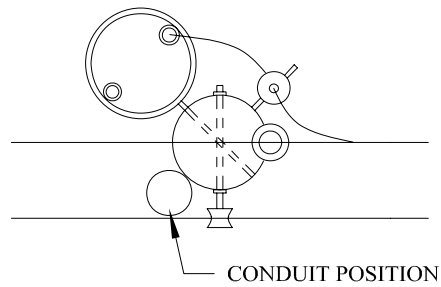
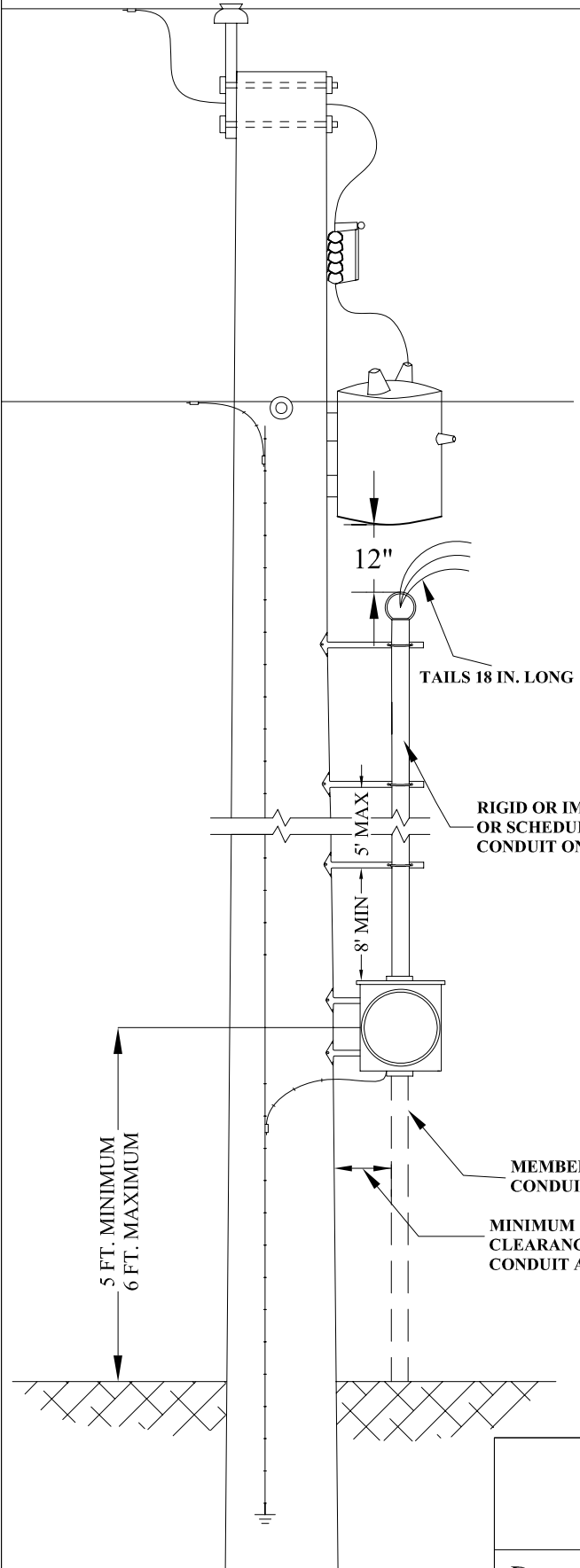


# TRANSFORMER POLE INSTALLATION GUIDE

## SINGLE PHASE SERVICE

**NOTES:**

1. METERING TO BE INSTALLED AFTER THE INSTALLATION OF B.B.E.C. EQUIPMENT AS CONDUIT LENGTHS ARE DEPENDENT ON POLE SIZE AND EQUIPMENT ON POLE.
2. ALL CONDUITS AND METERING TO BE MOUNTED ON STAND-OFF BRACKETS A MINIMUM OF 8 IN. FROM THE POLE
3. SELF CONTAINED METERING IS TO BE INSTALLED ON THE SAME SIDE OF THE TRANSFORMER.
4. IN CURRENT TRANSFORMER INSTALLATIONS, THE METERING AND CUSTOMER'S SERVICE CONDUITS ARE TO BE ATTACHED TOGETHER ON OFFSET BRACKETS AND INSTALLED ON THE SAME SIDE OF THE TRANSFORMER IN THE POSITION SHOWN BELOW.
5. METER BASE RISER CONDUIT SHALL BE RIGID OR IMC STEEL OR SCHEDULE 80 PVC.
6. METER LOOP, CONDUITS, OFFSET BRACKETS AND WIRING TO BE SUPPLIED AND INSTALLED BY A QUALIFIED WORKMAN.
7. METER LOOP SPECIFICATIONS ON A SEPARATE DIAGRAM SUPPLIED WITH THIS GUIDE.
8. DEPENDENT ON YOUR SERVICE INSTALLATION, A MAIN BREAKER MAY BE REQUIRED. CONTACT AN ELECTRICIAN OR STATE L & I BEFORE INSTALLING YOUR METERING.



**DIAGRAM K**

<b>BIG BEND ELECTRIC COOP, INC.</b>	
<b>RITZVILLE, WA</b>	
Drawn By: J.R.L.	Date: 3/24/09
Approved By: C.A.C.	Date: 4/27/09