

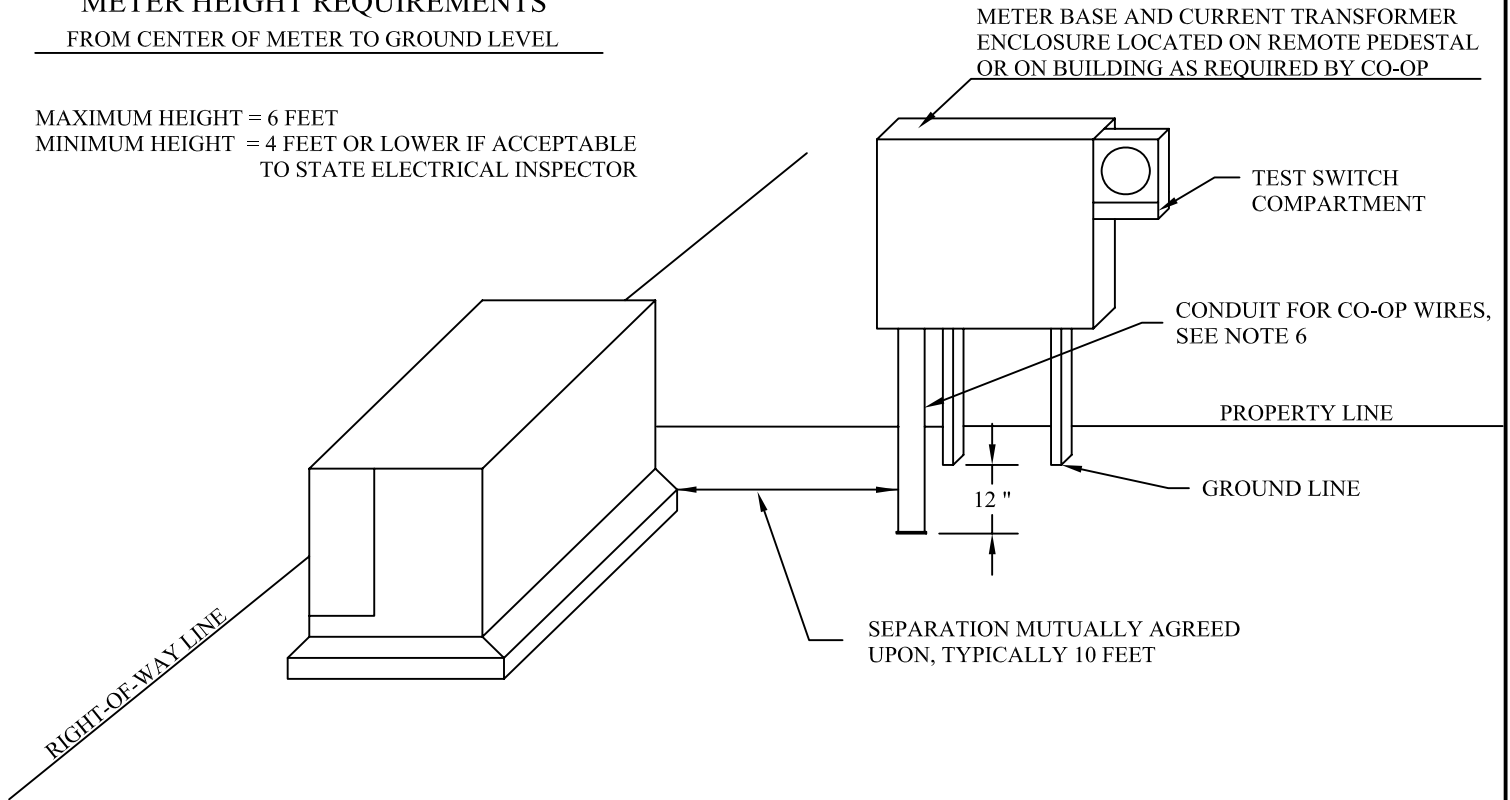
METER / BREAKER COMBINATION UNDERGROUND SERVICE - SINGLE PHASE

120/240 VOLTS - C.T. METERING

METER HEIGHT REQUIREMENTS

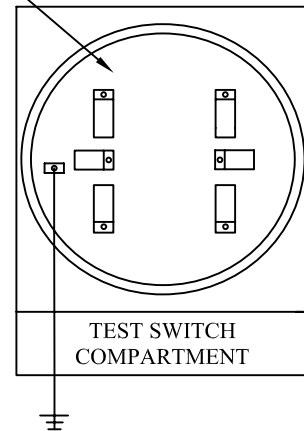
FROM CENTER OF METER TO GROUND LEVEL

MAXIMUM HEIGHT = 6 FEET
MINIMUM HEIGHT = 4 FEET OR LOWER IF ACCEPTABLE
TO STATE ELECTRICAL INSPECTOR



SEE DIAGRAM 8B

WIRING DIAGRAM



REQUIREMENTS:

- METER LOOP MUST BE EQUIPPED WITH FUSES OR CIRCUIT BREAKER(S).
- METER BASE MUST BE CURRENT TRANSFORMER RATED AND TO BE EQUIPPED WITH APPROVED TEST SWITCHES.
- METER LOOP MUST BE LOCATED IN A MUTUALLY AGREEABLE LOCATION ALONG PROPERTY LINE, ADJACENT TO CO-OP FACILITIES, OR ON BUILDING AS REQUIRED BY CO-OP.
- METER LOOP WILL INCLUDE PROVISIONS FOR THE INSTALLATION OF A CURRENT TRANSFORMER RATED METER, METER SUPPLIED BY THE CO-OP.
- CURRENT TRANSFORMER ENCLOSURE TO BE A MINIMUM SIZE OF 24" X 30" X 11" AND WILL INCLUDE PROVISIONS FOR THE INSTALLATION OF A WINDOW TYPE CURRENT TRANSFORMER.
- CO-OP WIRE SHALL ENTER METERING CABINET IN 3" OR LARGER RIGID OR IMC METAL OR SCHEDULE 80 PVC CONDUIT ONLY.
- WAC 296-46-160 REQUIRES THE ELECTRICIAN TO CONTACT THE CO-OP PRIOR TO THE INSTALLATION OF THE METER LOOP.

METER BASE, 6 JAW

MILBANK CATALOG #UC3436-XL
OR APPROVED EQUIVALENT

TEST SWITCH, 7 POLE

MILBANK CATALOG #TS07-0105
OR APPROVED EQUIVALENT

BIG BEND ELECTRIC COOP, INC.
RITZVILLE, WA

Drawn By: M. R. B.

Date: 12/17/01 REVISED 4/14/04

Approved By: D. R. B.

Date: 4/14/04

DIAGRAM V