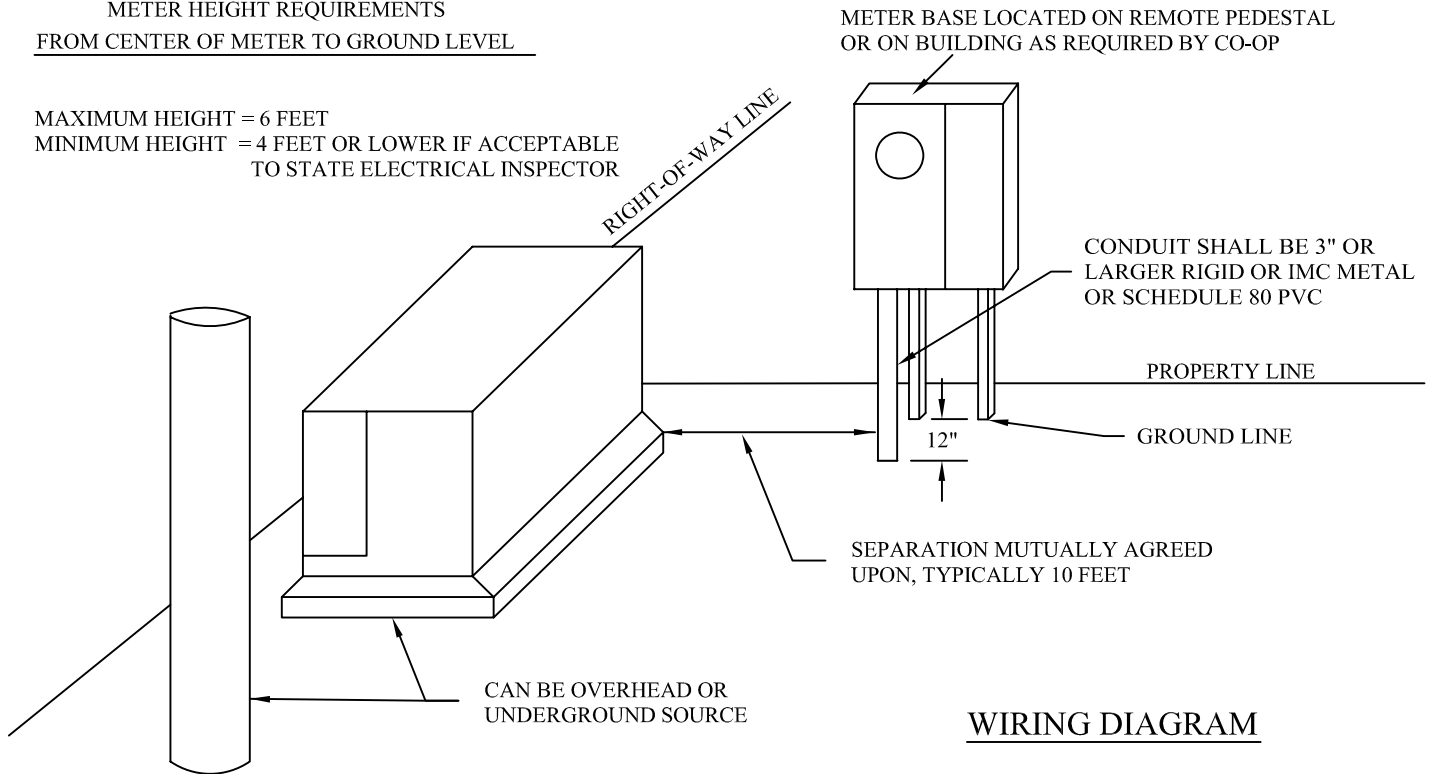


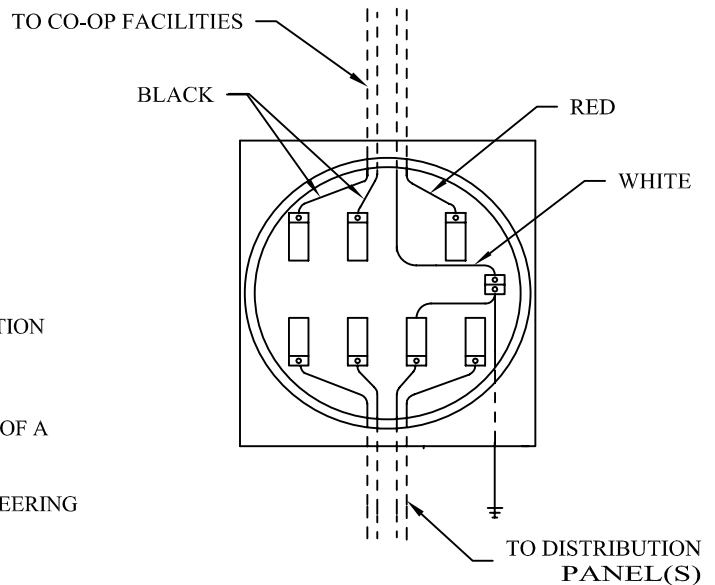
METER AND OR BREAKER COMBINATION UNDERGROUND SERVICE THREE PHASE SELF-CONTAINED ALL VOLTAGES COMMERCIAL APPLICATION

METER HEIGHT REQUIREMENTS
FROM CENTER OF METER TO GROUND LEVEL

MAXIMUM HEIGHT = 6 FEET
MINIMUM HEIGHT = 4 FEET OR LOWER IF ACCEPTABLE
TO STATE ELECTRICAL INSPECTOR



WIRING DIAGRAM



NOTE :
FUSES OR CIRCUIT BREAKER(S) MAY BE REQUIRED,
CONSULT WITH CO-OP ENGINEERING DEPARTMENT.

REQUIREMENTS:

1. METER LOOP TO BE LOCATED IN A MUTUALLY AGREEABLE LOCATION ALONG PROPERTY LINE ADJACENT TO CO-OP FACILITIES OR ON BUILDING AS REQUIRED BY CO-OP.
2. METER LOOP WILL INCLUDE PROVISIONS FOR THE INSTALLATION OF A SELF-CONTAINED METER, METER SUPPLIED BY THE CO-OP.
3. C.T. INSTALLATIONS REQUIRE PERMISSION BY THE CO-OP'S ENGINEERING DEPARTMENT PRIOR TO THE INSTALLATION OF THE METER LOOP.
4. CO-OP WIRE SHALL ENTER METERING CABINET IN 3" OR LARGER RIGID OR IMC METAL OR SCHEDULE 80 PVC CONDUIT ONLY.
5. WAC 296-46-160 REQUIRES THE ELECTRICIAN TO CONTACT THE CO-OP PRIOR TO THE INSTALLATION OF THE METER LOOP.
5. USE WITH DIAGRAMS 4, 5 OR 6.

| | |
|-------------------------------------|---------------------------------|
| BIG BEND ELECTRIC COOP, INC. | |
| RITZVILLE, WA | |
| Drawn By: M. R. B. | Date: 12/14/01 REVISED 10-10-08 |
| Approved By: C. A. C. | Date: 3-26-08 |

DIAGRAM X